



# 1200TS SERIES

- » Up to 10,6 m working height.
- » Standard four hydraulic powered extension decks, featuring an ultra large work platform
- » One touch easy levelling capabilities, side - side / fore - aft.
- » The Dual track propulsion accommodate to drive at the most harsh an extreme rough terrain conditions
- » 90 degrees rotation provides a unique up & over clearance feature
- » Dynamic display: projecting all essential machine reading while operating the unit
- » Heavy duty Diesel engine, complies with Global emission standards

## Standard features

- » Up to 10,65 m working height
- » Auto and manual levelling - 6° on each axis correction capability
- » Four hydraulic powered extension decks - featuring a spacious working area
- » Radiographic remote control with live feedback information display. Giving live info on most fundamental machine readings and alerting the operator with preventive information.
- » Fully proportional Drive, Lift, Rotation en Deck control.
- » Featuring a 90° hydraulic rotation of scissor stack together with platform
- » Easy maintenance access to mechanical, electrical and diesel components without raising platform or swinging out trays
- » Fits in a 40ft High Cube shipping container
- » CE compliant / CSA compliant / ANSI compliant
- » Complies to global Emission standards - STAGE V / TIER 4-FINAL
- » On-Board diagnostic display system
- » Integrated maintenance interval warning. Via the display on the remote as well as the diagnostic display the operator is informed whenever machine maintenance is recommended
- » Segmented guardrail system - each segment can be positioned intermittent. Allowing to `shape` the guardrail inline with confined areas
- » Fuel tank level active monitoring, prevents empty tank scenario.

## 1200Ts-series Track scissor

	1220TS	1230TS
Lifting capacity	2.000 kg	3.000 kg
Max load on extension decks	500 kg	500 kg
Max allowed drive height	5 m	4 m
Allowed inclination	3 degrees	3 degrees
Max drive speed - stowed	2 km/h	2 km/h
Max drive speed - elevated	0,6 km/h	0,6 km/h
Allowed wind speed	12,5 m/s	12,5 m/s
Max allowed occupant	5 people	5 people
Max allowed occupant extension deck(s)	2 people	2 people
Weight	18.300 kg	19.200 kg

## Hydraulic Powered Extension Decks



With all four Hydraulic Powered extensions decks full extended, the OMEGA 1200TS-series features an impressive large work platform.



The four Extension decks are positioned by means of hydraulic cylinders. Each deck can be operated individual, these movements are fully proportional controlled.

Deck control is primary operated from the remote controller.

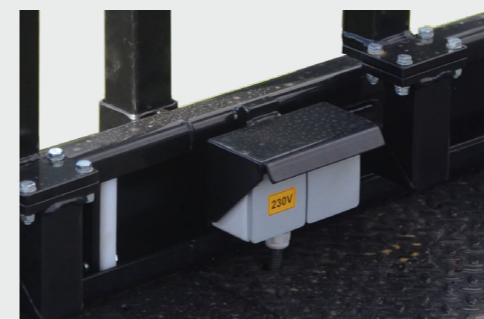
Nevertheless, for testing or in case of emergency reasons, all decks can be operated from the base control as well.

**A works space of over 42m<sup>2</sup> having all decks at full extension.**

The OMEGA 1200TS-series Meets or exceeds the requirements of ANSI A92.5-2006 ,CSA B354.4.02, the requirements of the European Council Directive 2006/42/EC on machinery, and the EN280.



## Integrated AC power source Socket at platform



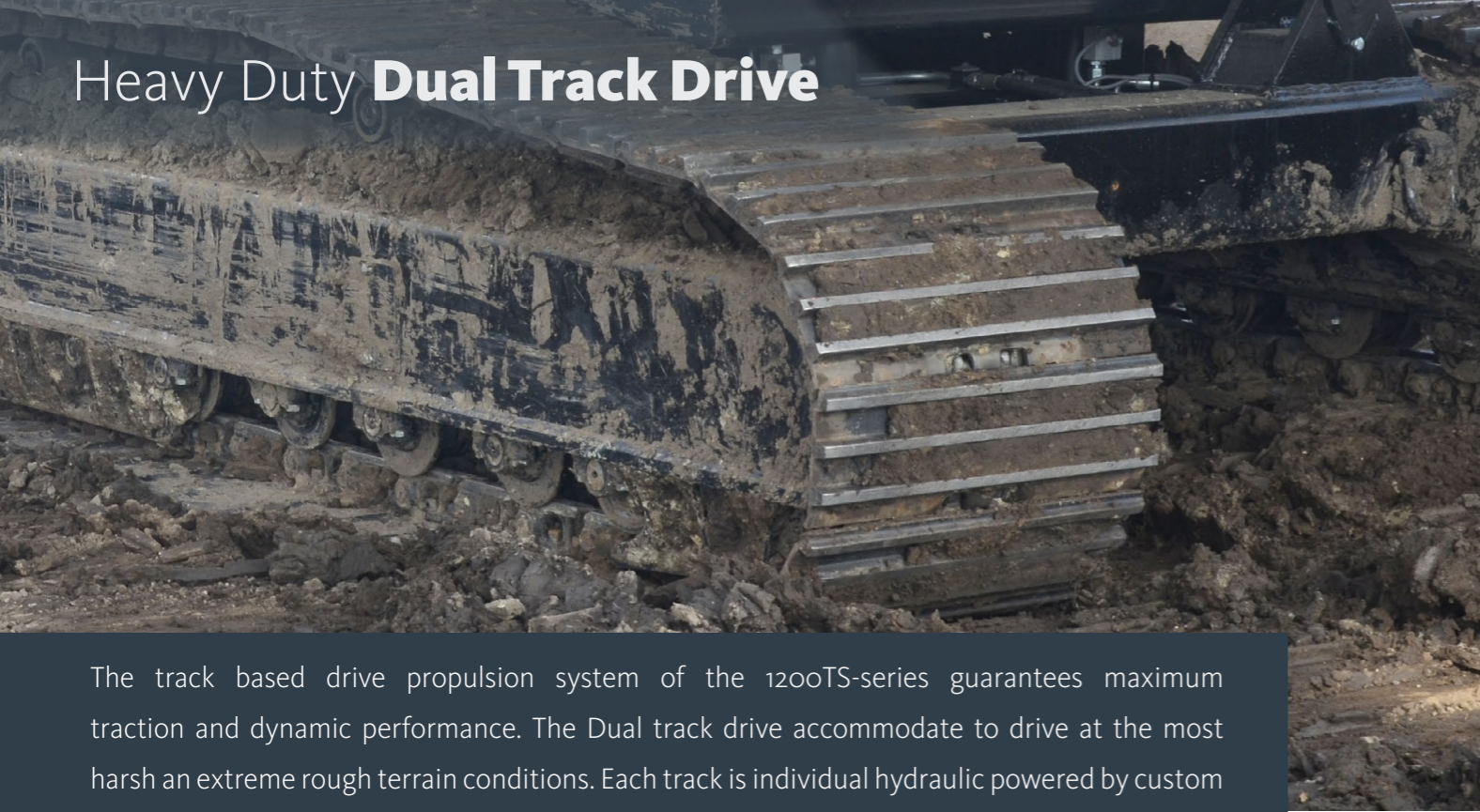
An AC power source together with multiple AC outlet socket at fixed location mounted at the platform is optional available. A variety of AC Voltages and power ratings can be chosen from. Among 110Vac, 230Vac, and power rating starting at 1,5 kW.

AC outlet sockets are waterproof and situated in re-enforced key-locations. Type of sockets are selectable to match global variations.

The AC outlet supply is controllable via the remote control. The operator can switch it ON or OFF via a designated toggle switch.



## Heavy Duty **Dual Track Drive**



The track based drive propulsion system of the 1200TS-series guarantees maximum traction and dynamic performance. The Dual track drive accommodate to drive at the most harsh an extreme rough terrain conditions. Each track is individual hydraulic powered by custom designed DANFOSS close-loop 45CC piston pump.

**Non compromises taken in the design for creating exceptional rough terrain capabilities.**



Drive is intuitively operated by two proportional joystick controllers on the remote control.

The combination of absolute precision, effortless handling and convincing traction ensures maximum driving performances.

Three prefixed Drive speed the operator can choose form, each intended for specific needs.

SLOW SPEED - for precise manoeuvring in confined spaces.

HIGH TORQUE - for maximum traction, for driving in most harsh of underfoot conditions.

HIGH SPEED - for driving at maximum speed. Drive speed up to 2,5km/h.

Default configuration of the undercarriage is with steel track plates.  
Optional rubber track shoes can be mounted.

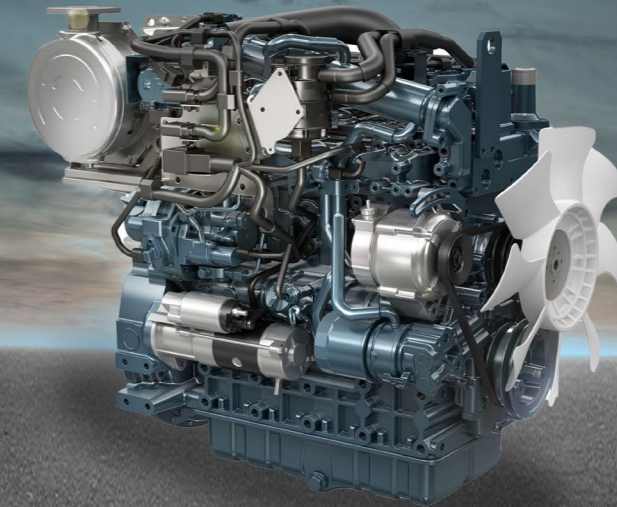
## Light Weight Compact **Remote Controller**



The light weight compact remote controller is the main interface for the operator. The Display on the remote projects all information relevant for the save and ergonomic use of the platform. The LED bars together with the Display clusters info on Height, Load, Inclination, Fuel Level, Battery voltage, Ambient temperature\*, Engine RPM, Safety interlocks and maintenance indications.

The three Joystick controllers on the remote provides a full distinctive control of all motions of the machine. Each joystick allows operation in Forward / Reverse direction - and - in Right / Left direction. Functions operated by the Joysticks are fully proportional. Including Proportional Lowering.

## Power source **Diesel Engine**



The OMEGA 1200TS-series is driven by a KUBOTA Diesel Engine V3307-CR-T-E5. This engine is meeting the requirements of each EPA Tier. As such, we are able to provide our customers worldwide with certified for the appropriate emissions regulations. The V3307-CR-T-E5 common rail optimize combustion and create a more durable and quieter engine with higher fuel efficiency. By meticulously screening and controlling the exhaust gas aftertreatment components, the engine provides a clean and high-performance power source.

### **KUBOTA V3307-CR-T-E5 in the OMEGA 1200TS-series**

- Turbocharged
- direct injection combustion system
- Common rail fuel system
- Maximum torque 265Nm
- 55 kW Rated power



## Upper Section **Rotation Feature**



Up & over reach is one of the many advantages the Rotation feature provides. The enormous outreach that is created being fully rotated and deck full extended is second to none.

Able to position the platform in alignment to the facade or the overall structure at the work site is achieved effortlessly using the rotation function. No need for excessive drive manoeuvring to reach the correct platform position.

Moreover, operating the rotation is not limited to any platform height; at any given position the rotation can be operated to reach the ideal working position.

Just like all other main moving functions on the 1200TS-series, the rotation is proportional controlled, and as such can be punctilious operated at the most narrowed circumstances.



## large Working platform **Vast Lifting Capacity**

The enormous deck size is by far one of the unique and foremost characteristics of the OMEGA 1200TS-series. The spacious deck provides a true workshop arena. Not just the size of the platform is outstanding, more than that is the vast lifting capacity. The 2.000 KG default lifting capacity allows to place tooling and material on the deck almost without limitations. The OMEGA 1230TS goes even beyond that, and offers the ultimate lifting capacity of 3.000 KG.

The physical placed load on the platform is monitored continues. Aside from the essential safety reasons of load measuring, the live load readings is projected via the Display on the remote. Operator can judge instantly if more material can be taken along.

**A major asset for the operator to have accurate knowledge of actual load on the platform.**

**1220TS - Lifting capacity 2.000 KG**  
**1230TS - Lifting capacity 3.000 KG**

As well LIFTING as LOWERING are fully proportional controlled. A prefixed engine RPM idle speed can be selected for an even a more minuscule operation of lift or lower, allowing to position the height at the utmost accuracy.

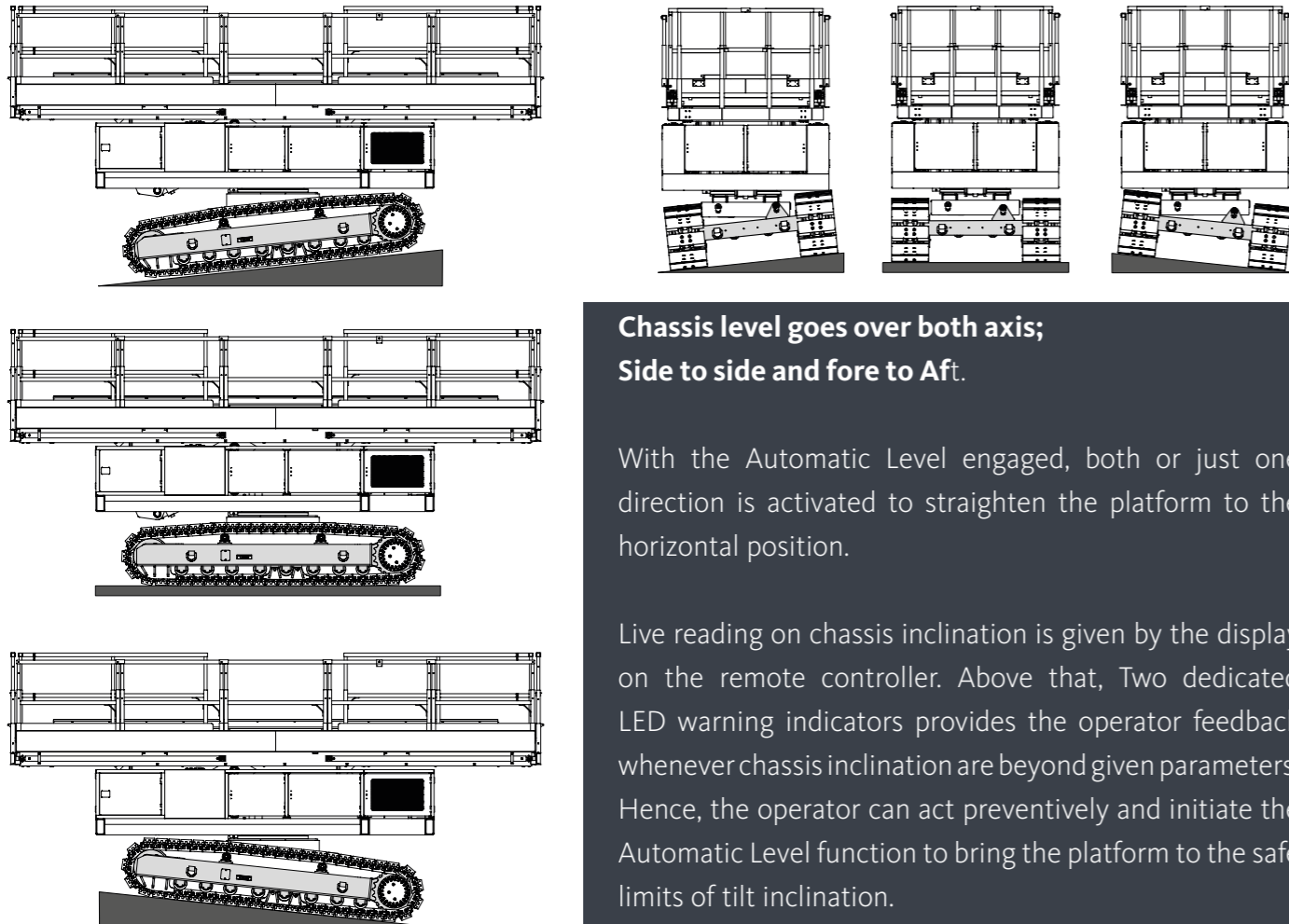
Raising and lowering the platform is intended to operated via the remote control. Nevertheless, for testing or in case of emergency reasons, lifting and lowering can be operated from ground panel as well.





# Dual Axis Chassis Levelling

The levelling on the OMEGA 1200TS-series provides the unique feature to horizontal the entire machine on slopes and uneven underfoot condition. Operation is fully Automatic or Manual Selection, with an 6° Side to Side and 6° Fore and Aft Slope Levelling Capability. The Automatic levelling is triggered by a single toggle switch on the remote, within an instance the platform is levelled to a horizontal position.



## Chassis level goes over both axis; Side to side and fore to Aft.

With the Automatic Level engaged, both or just one direction is activated to straighten the platform to the horizontal position.

Live reading on chassis inclination is given by the display on the remote controller. Above that, Two dedicated LED warning indicators provides the operator feedback whenever chassis inclination are beyond given parameters. Hence, the operator can act preventively and initiate the Automatic Level function to bring the platform to the safe limits of tilt inclination.



**TILT LVL X / Y                      3. / 2.**

Live reading on chassis inclination projected at the display of the remote.



## Safety features

- » Emergency Shut-off at Base and Platform
- » Overload detection
- » Active ECU diesel engine monitoring
- » Lanyard attachments
- » Scissor stack locking device
- » Multi-axis tilt sensor reading
- » Audible and visual warning devices
- » Flashing amber beacons
- » Removable main power switch, to prevent unauthorised use of the machine
- » Oversized heavy duty guardrail system
- » Base controls for most essential functions, for testing and emergency operation

## Other features

- » Via the On-Board display at the base all settings and adjustment can be verified. Easy and intuitive screen selection navigation for diagnostics and viewing sensor reading
- » Well oversized slewing gear, preventing any deflection of the upper section.
- » Two storage cabinets are integrated at the base. Each with a stainless steel durable lockable latch. Tools and material can be safely stored in these spacious cabinets.
- » Technical, Parts and Operator Manuals are freely available at a designated website page.



Slew Ring



Scissor Stack locks



Base Control



Storage Cabinet



# 1220TS / 1230TS Dimensions

## 1220TS / 1230TS

### Transport dimensions

Stowed length	A	7,17 m
Stowed height - guardrails up	B	3,49 m
Stowed height - guardrails lowered	C	3,13 m
Stowed height - guardrails removed	D	2,53 m
Stowed width	E	2,27 m

### Heights

Min platform height	F	2,26 m
Max platform height	G	8,65 m
Max working height	H	10,65 m
Ground clearance height	J	0,37 m
Guardrails height	K	1,23 m

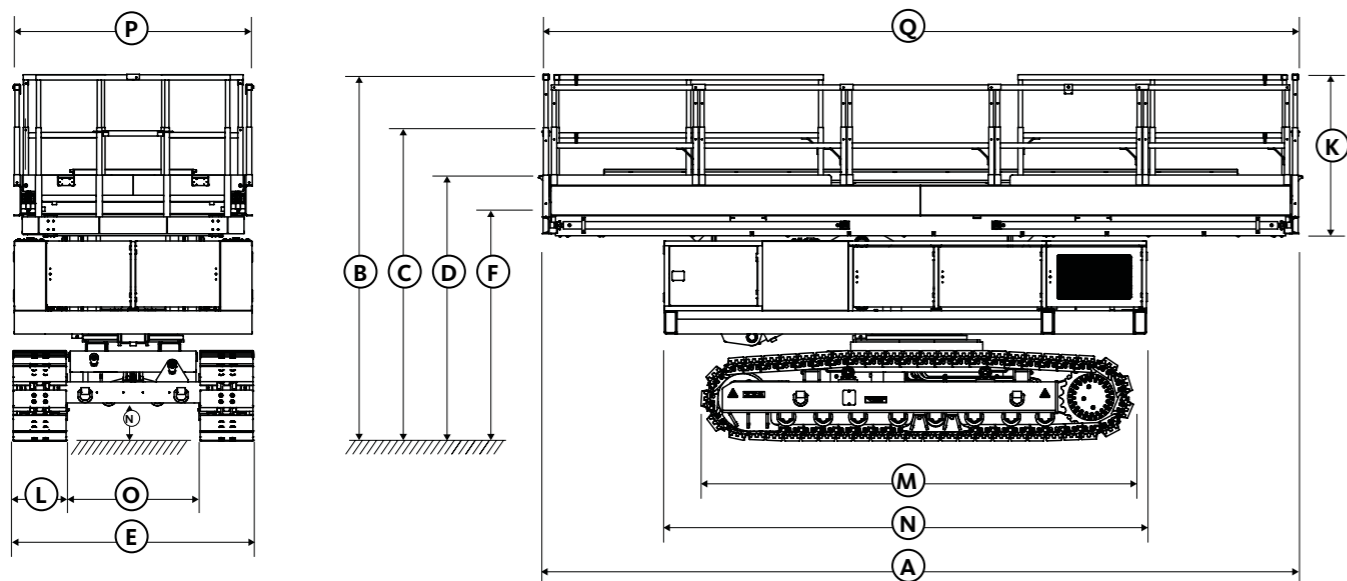
### Widths & Lengths

Track width	L	0,50 m
Track length	M	4,00 m
Chassis length	N	4,50 m
Ground clearance width	O	1,27 m

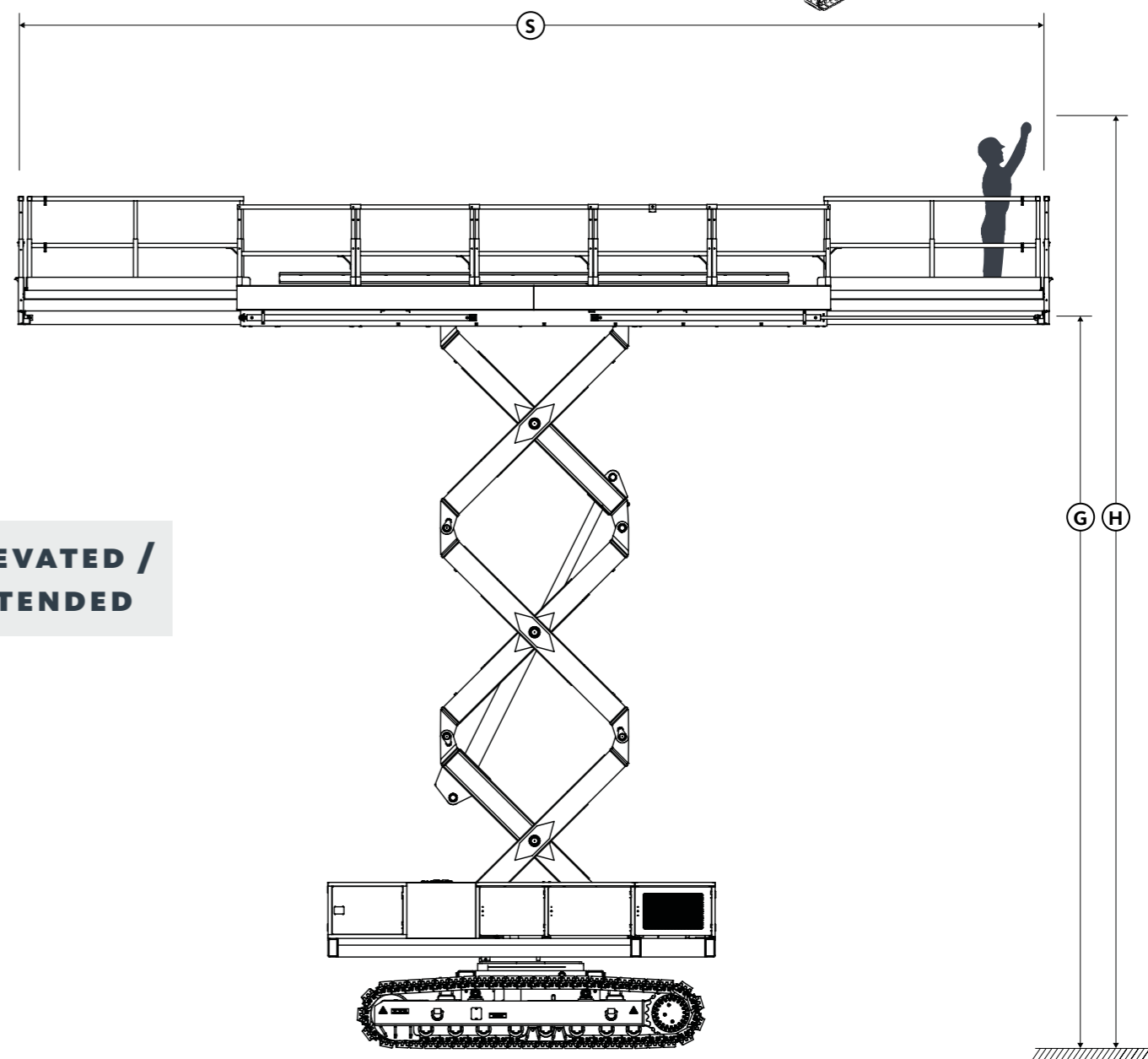
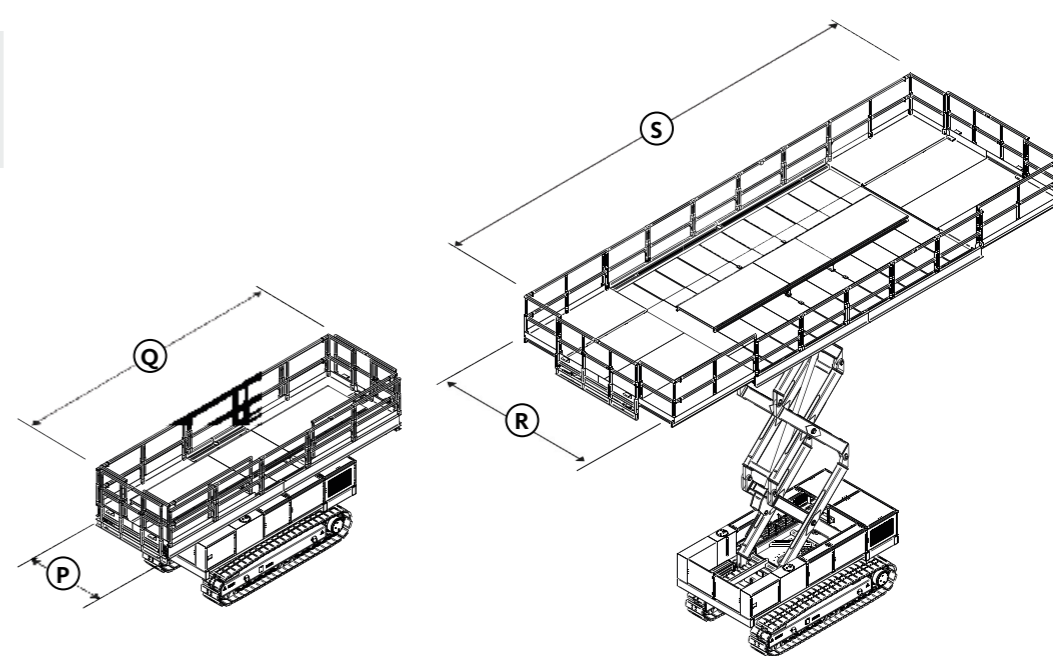
### Hydraulic Extension decks

Min deck width	P	2,26 m
Min deck length	Q	7,17 m
Max deck width	R	3,51 m
Max deck length	S	12,16 m

## STOWED



## 3D VIEW



## ELEVATED / EXTENDED



**Distributed By:**



**OMEGA SOLUTIONS BV**

**Leemidden 21**

**2678 ME De Lier**

**The Netherlands**

**+31 174 52 59 90**

**group@omegagroup.eu**

**WWW.OMEGASOLUTIONS.BIZ**